



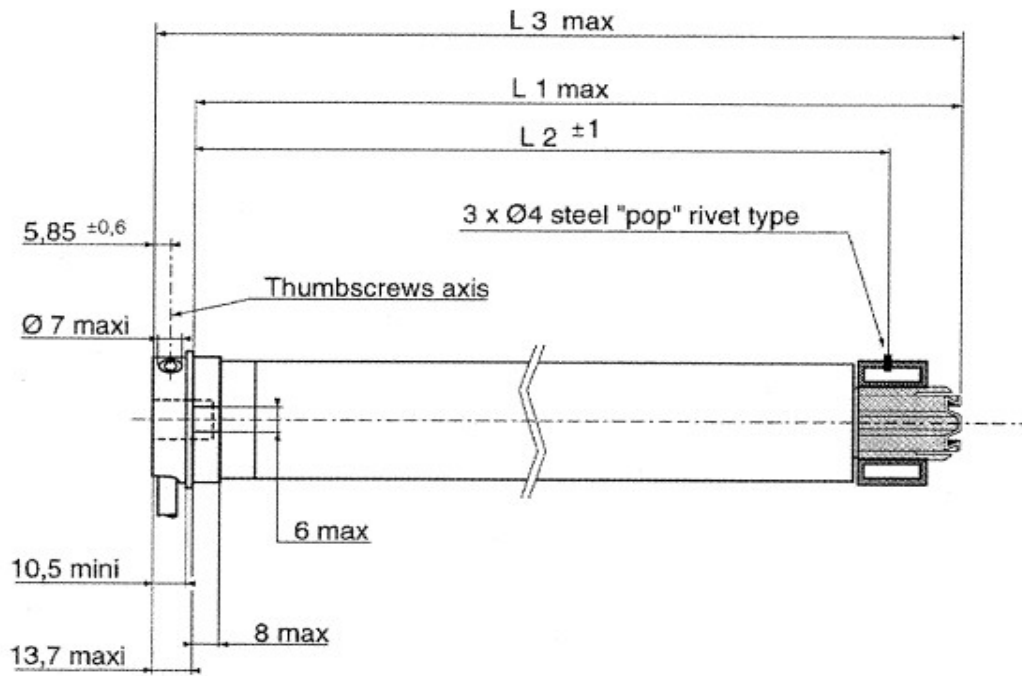
TDST Sonesse® 40 PA Range1

SDEV-CLU-IMPS 61R1
DOC101844 008
SONESSE 40 Range 1

Nominal voltage	230 V - 50 Hz
Power supply tolerances	207- 253V
Thermal time	4 minutes
Number of wires of the cable	3
Wire section	0,75 mm ²
Insulation class	Class II
Type of limit switch unit	Progressive limit switch
Capacity of the LSU	40 turns
Repeatability	± 15°
System of protection	IP44
Interface drawings	Screw implantation for LS40 mounting 147897-Wheel interface LS40 147887-Crown interface LS40 147888-LS40& Altus 40 head interface drawing 147465.
Angular free-play for venetian application	Angular free-play between the drive wheel accessory & the tube + free-play between the crown accessory & the tube, must not exceed 8°
Wheel unclipping force	≈ 7 Kg
Temperature working range	From 0°C to 60°C: 10 000 cycles (1 cycle = 1 up/down movement of 2m height for a blind) Restriction: from 0°C to 10°C 1500 cycles from 35°C to 60°C 3500 cycles
Noise Level	Power Level : according to standards ISO3741 in dB(A) re1pW Typical Value at nominal torque without end product (measurement from 20°C to 35°C)

Designation	Nm	Nm	rpm	mm	mm	mm	mm	W	kg	dB(A) ref 1pW
	Nominal torque	Min torque (To avoid jumping)	Nominal speed	L1 max.	L2 (±3 mm)	L3 max.	tube	Rated power	Weight	Noise Power Level
Sonesse 40 1,3/55	1,3	0,3	55	494	473	510	438	105	1,135	43
Sonesse 40 3/30	3	0,3	30	462	441	478	406	95	1,225	42
Sonesse 40 6/20	6	0,3	20	494	473	510	438	120	1,25	45
Sonesse 40 9/12	9	0,3	12	494	473	510	438	120	1,35	40

WIRING	Neutral	Blue
	Direction 1	Brown
	Direction 2	Black



Applicable on all types of tubes

